

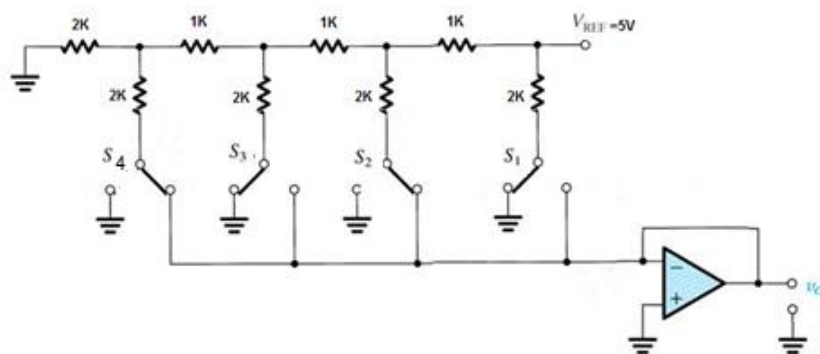
1. The signal  $x(t) = 5\sin(15t - 60^\circ) + 2\sin(7t)$  is periodic in

- A.  $\pi$
- B.  $15/7$
- C.  $15\pi$
- D.  $2\pi$

2. What is the function of the TTL gate shown below

- A.  $(\bar{A}.B) + (\bar{C}.D)$
- B.  $\overline{(\bar{A}.B) + (\bar{C}.D)}$
- C.  $(A.\bar{B}) + (C.\bar{D})$
- D.  $\overline{(A.\bar{B}) + (C.\bar{D})}$

3. For the R-2R ladder shown below. What is the output voltage ? (check the state of the switches)



- A. 2.500V
- B. 0.3125V
- C. **1.5625V**
- D. 3.1250V