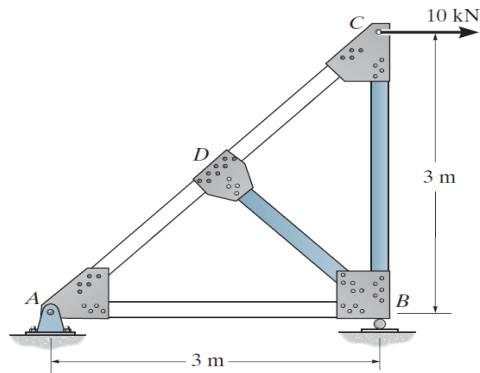


1. Determine the force in member CB of the truss and state whether it is in tension or compression.



- A. 10 kN Tension**
B. 14.14 kN Compression
C. 7.07 kN Tension
D. 11.55 kN Compression
2. The maximum ratio of span to depth of a solid slab simply supported and spanning in one direction is
- A. 35
B. 25
C. 30
D. 20
3. The development of first 28 days strength is on account of the hydration of
- A. C_2S
B. C_3S
C. C_3A
D. C_4AF